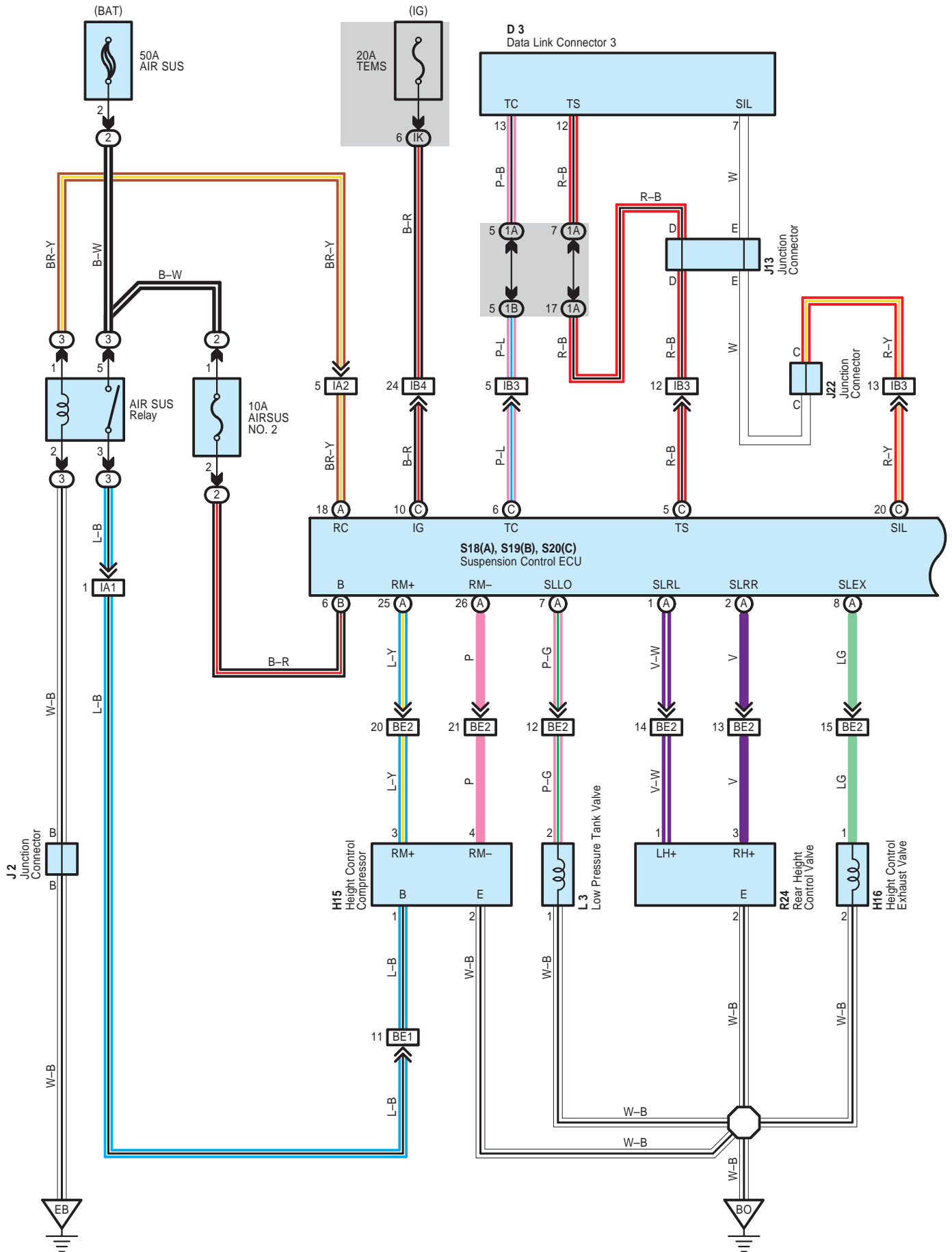
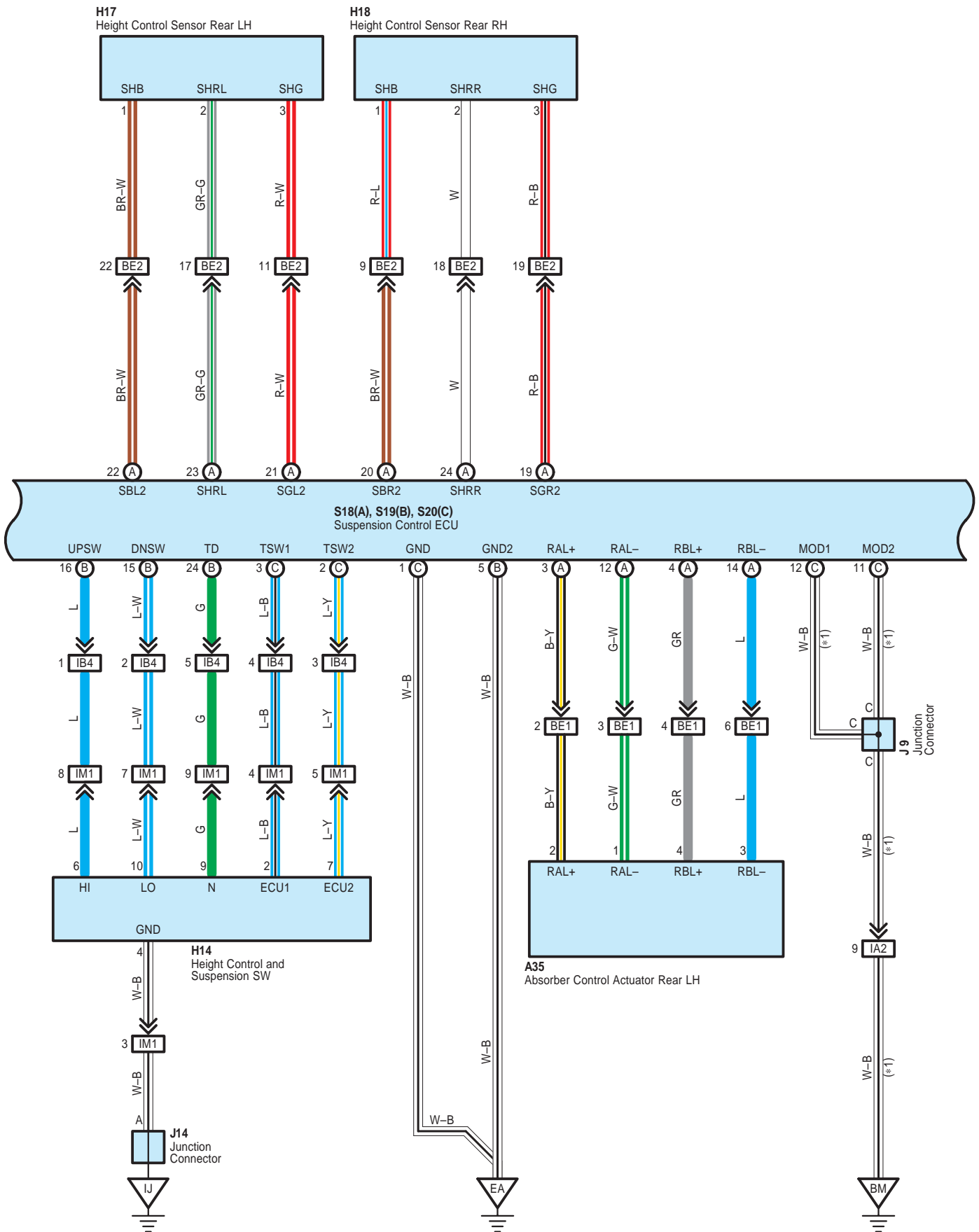


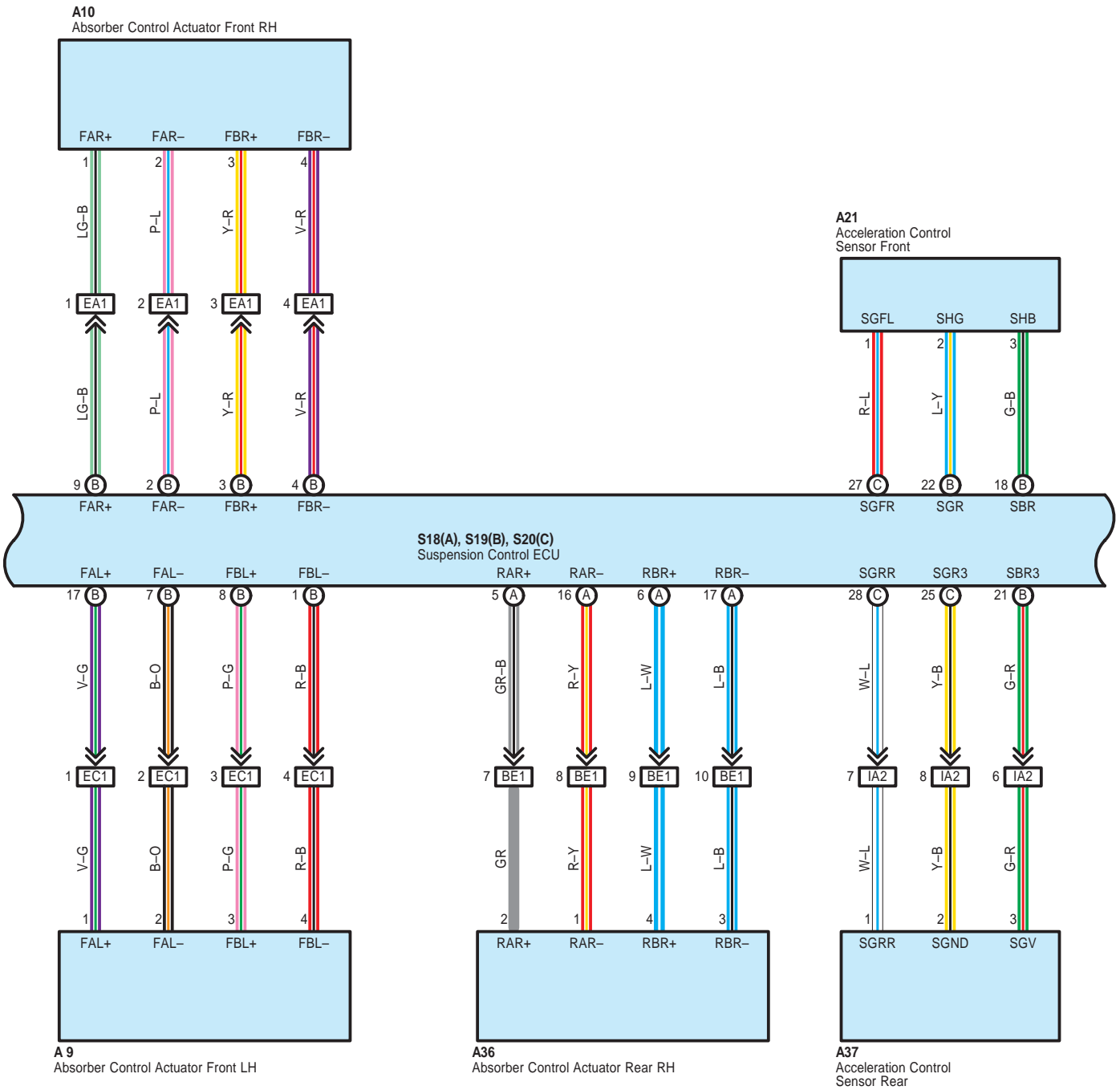
# Electric Modulated Air Suspension



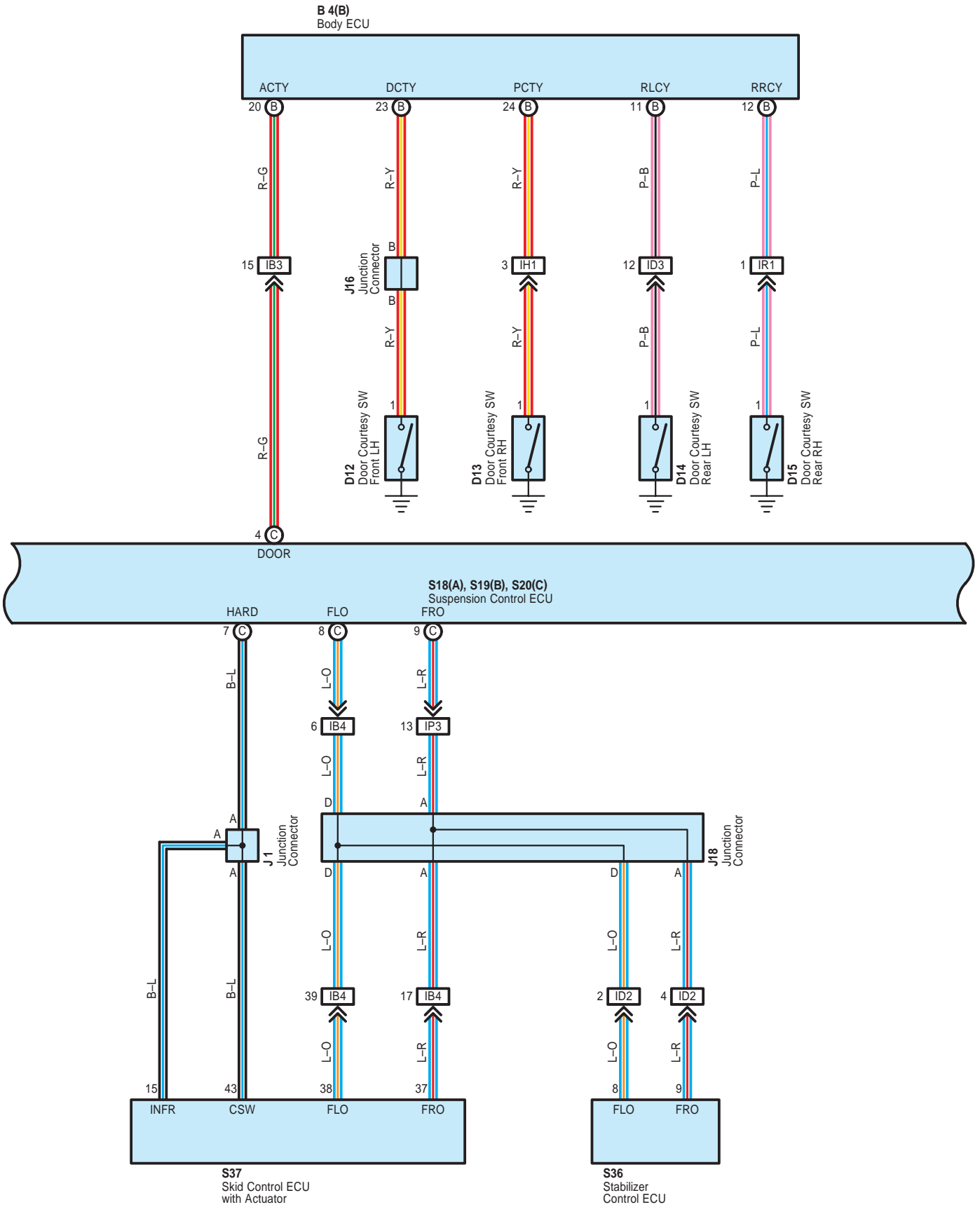
# Electric Modulated Air Suspension

\* 1 : w/ Kinetic Dynamic Suspension System

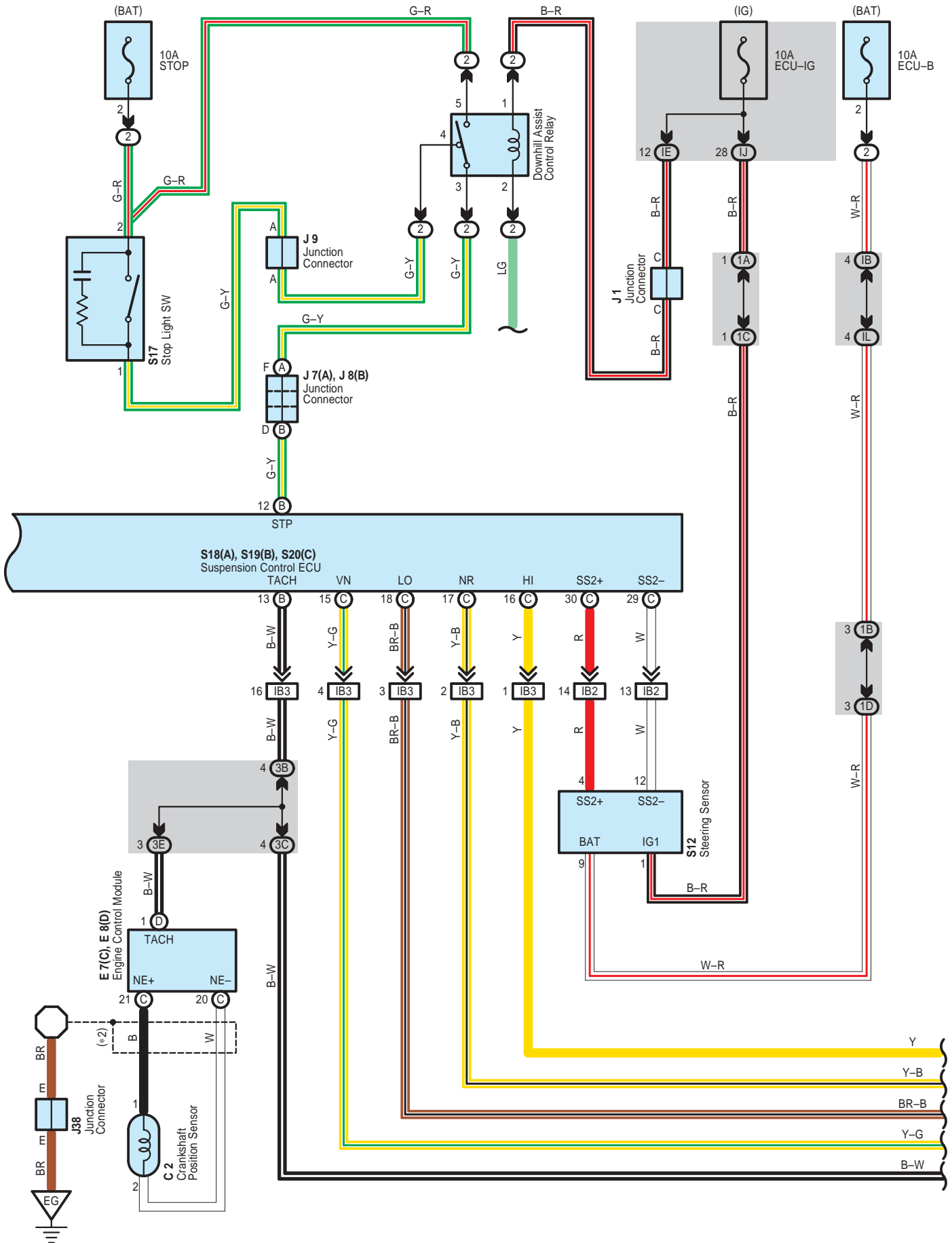




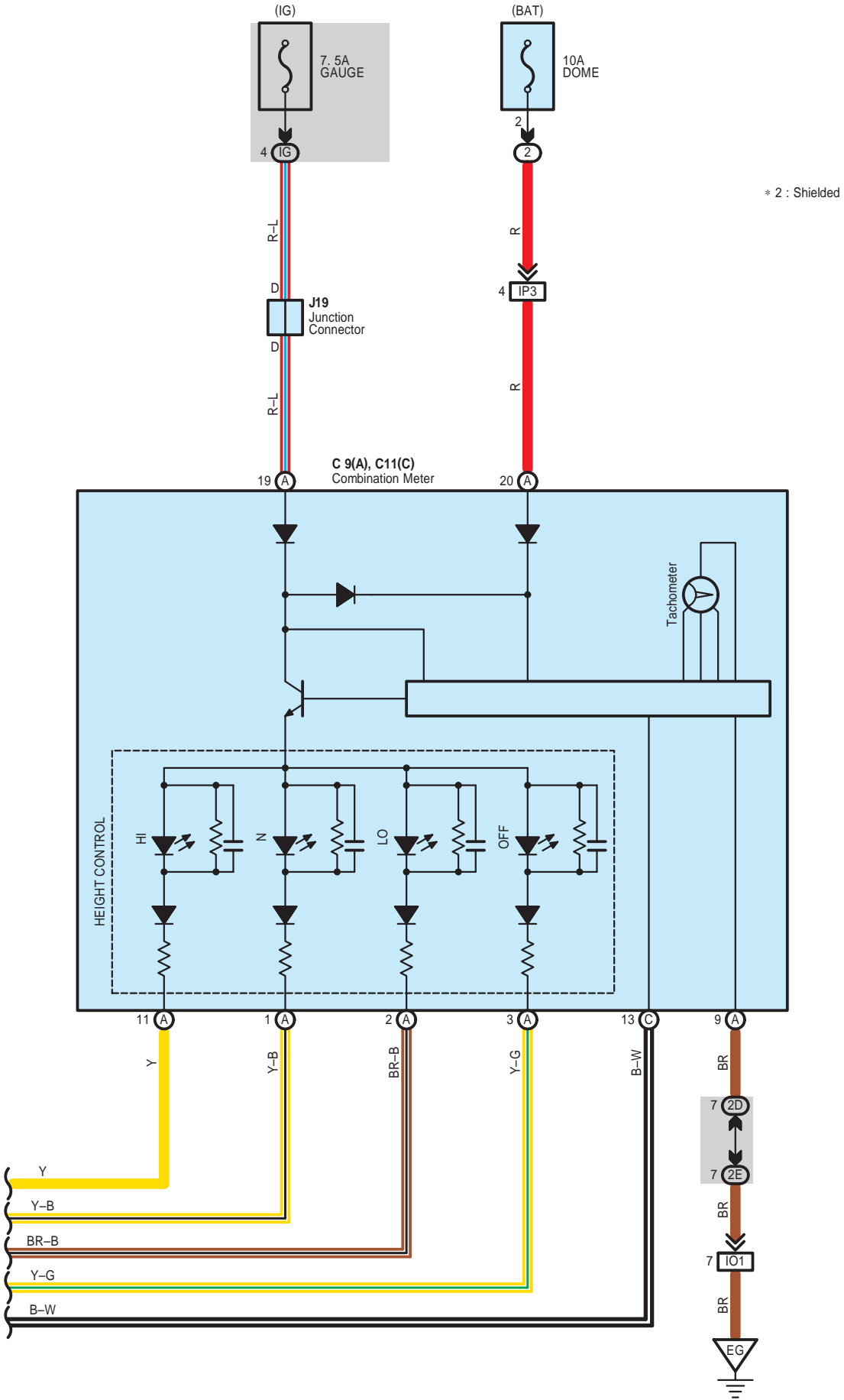
Electric Modulated Air Suspension



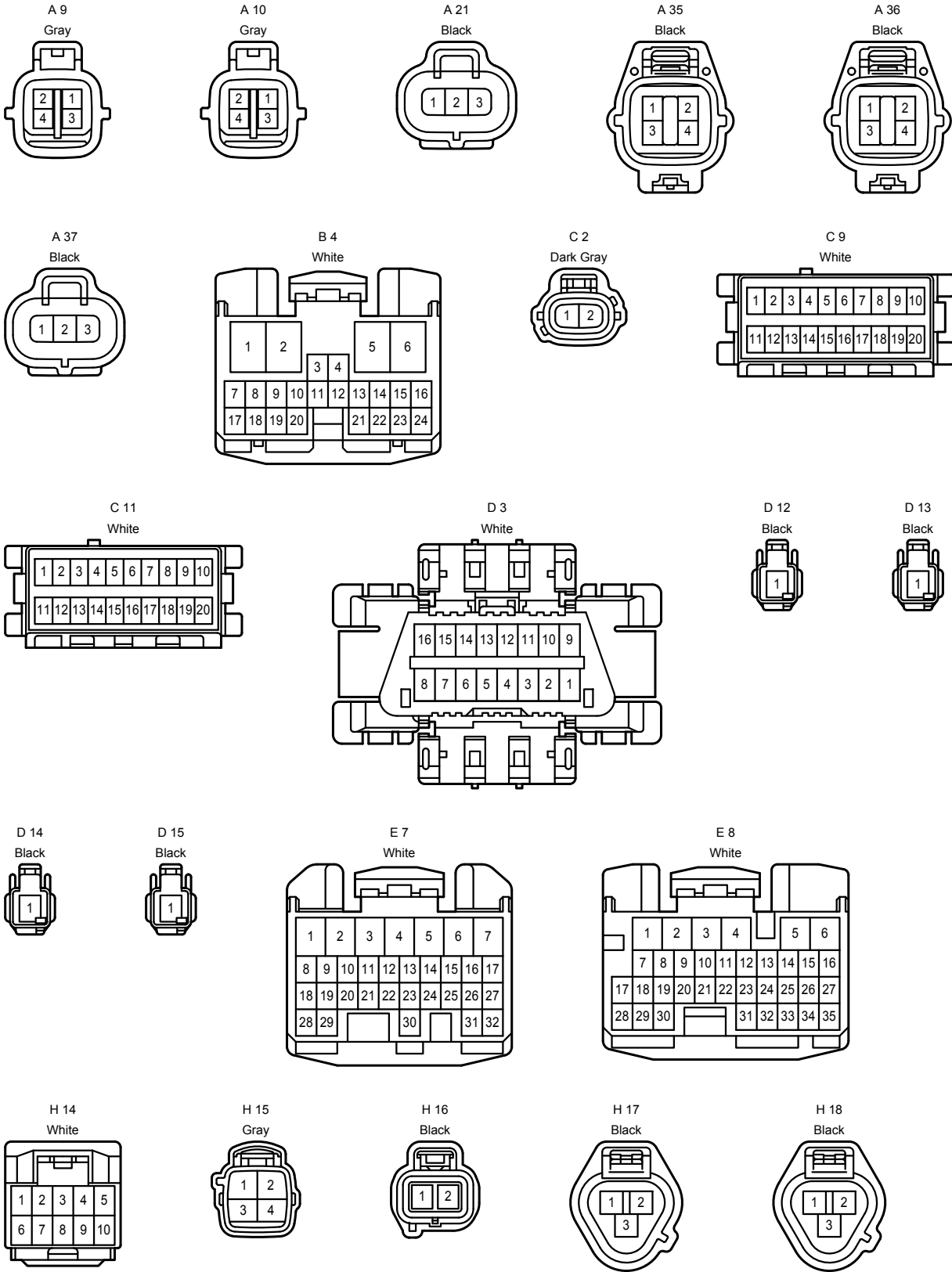
Electric Modulated Air Suspension



Electric Modulated Air Suspension



Electric Modulated Air Suspension

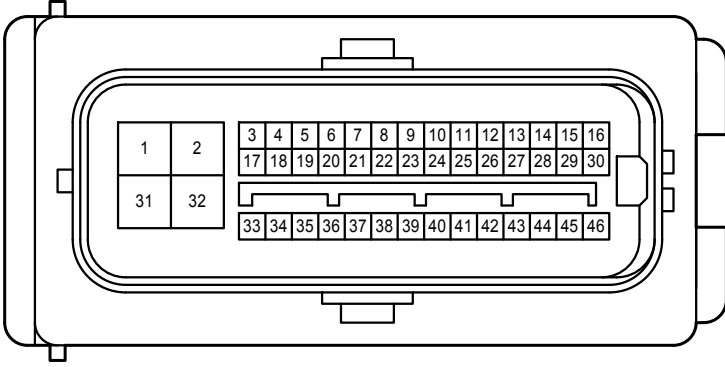




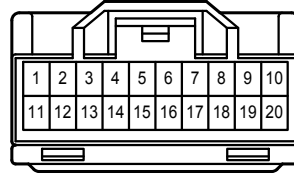


Electric Modulated Air Suspension

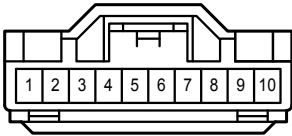
S 37  
Black



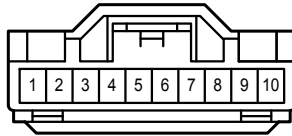
1A  
White



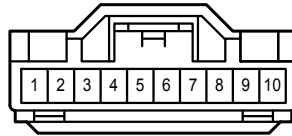
1B  
Black



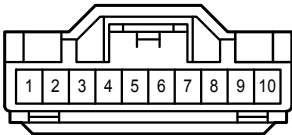
1C  
White



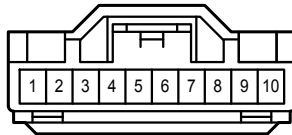
1D  
Black



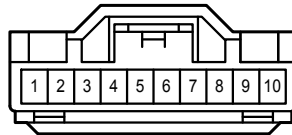
2D  
Black



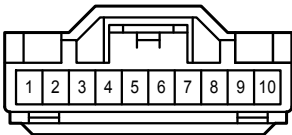
2E  
White



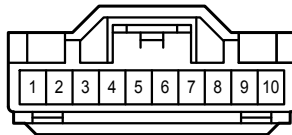
3B  
Black



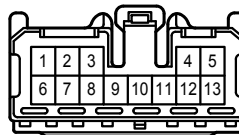
3C  
White



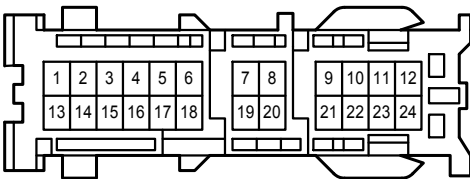
3E  
White



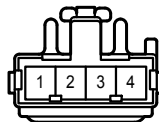
1B  
White



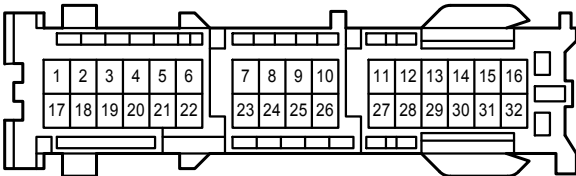
1E  
White



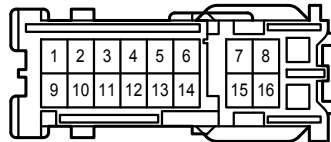
1G  
White



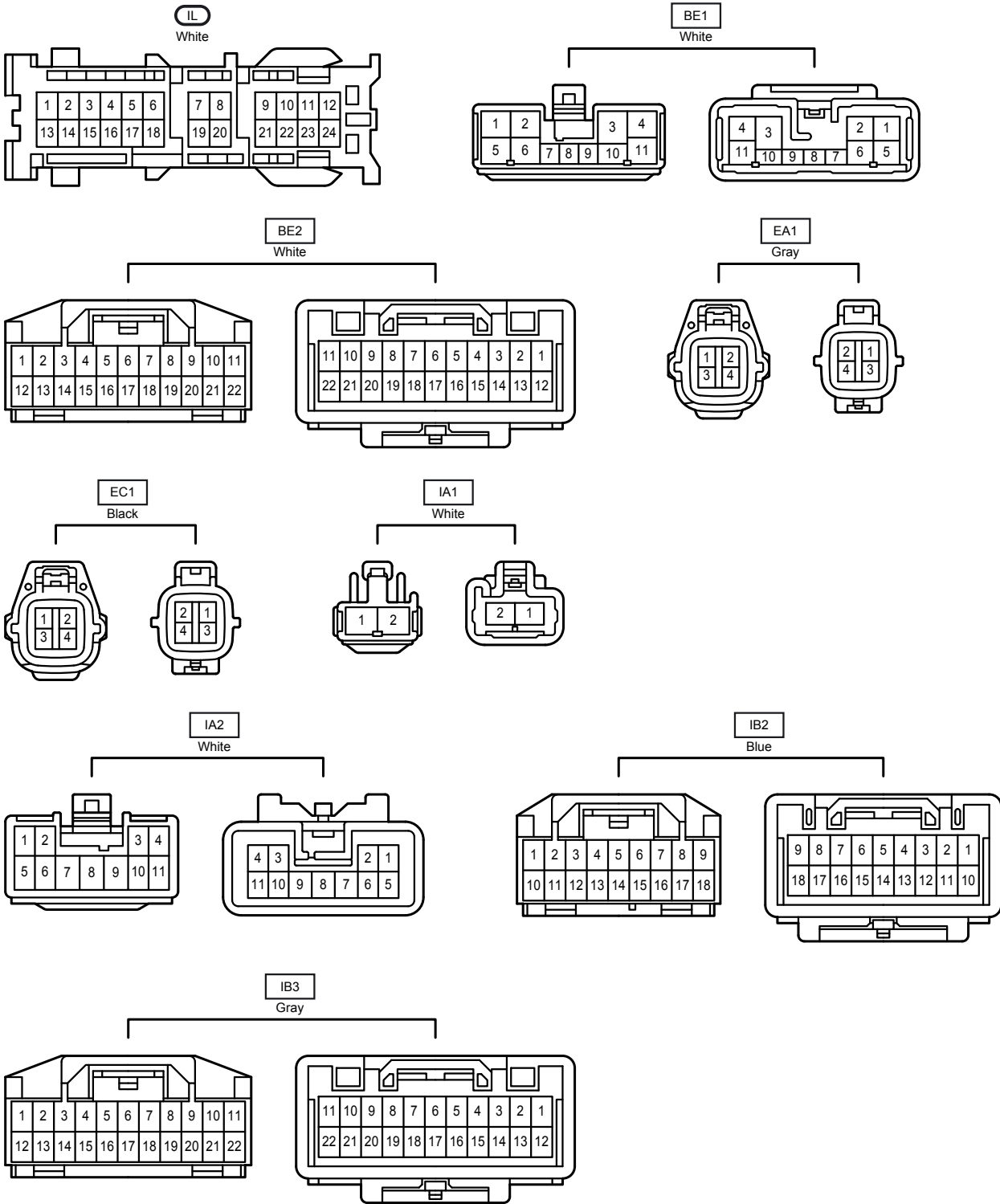
1J  
White



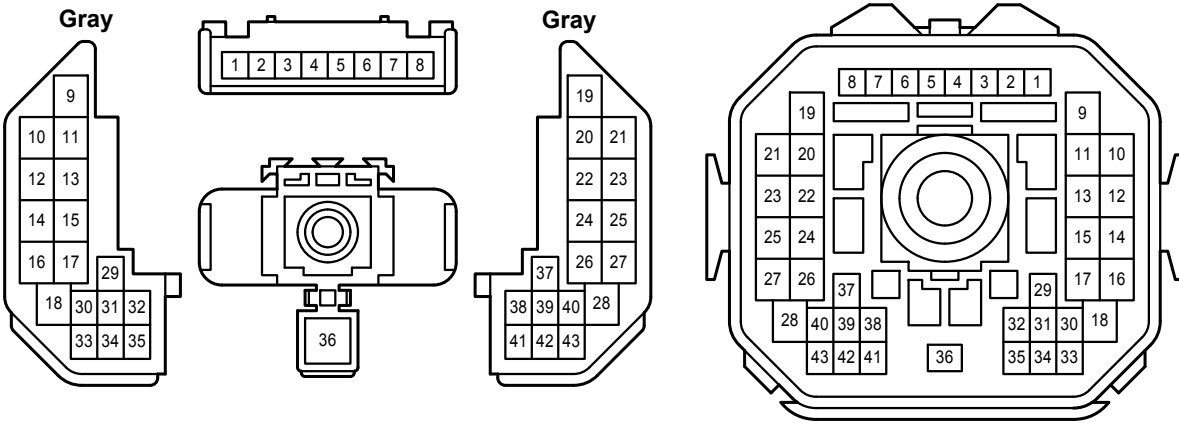
1K  
White



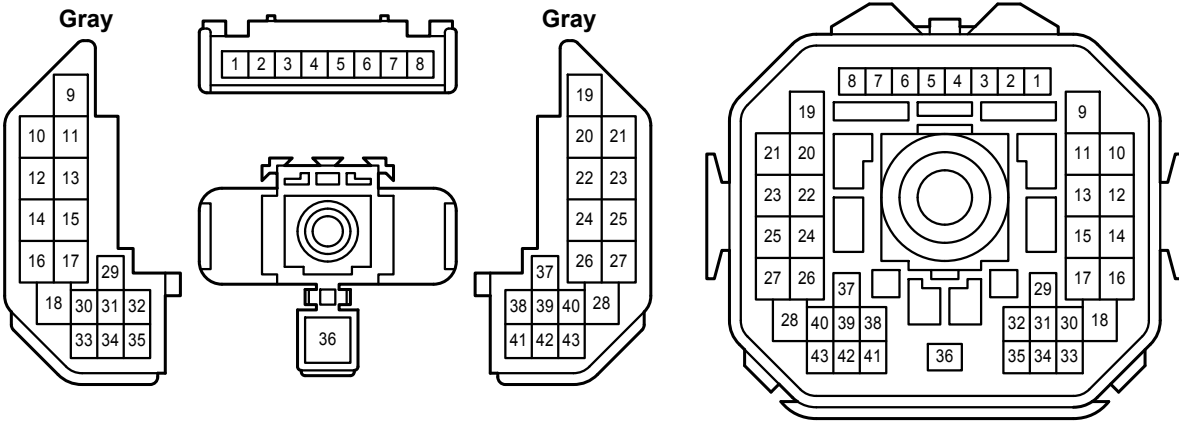
Electric Modulated Air Suspension



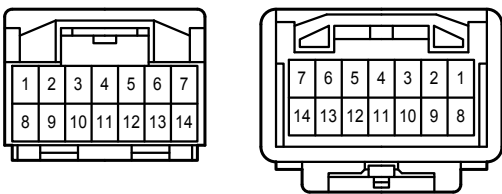
IB4  
White



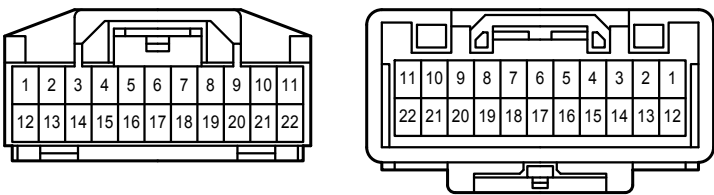
ID2  
White



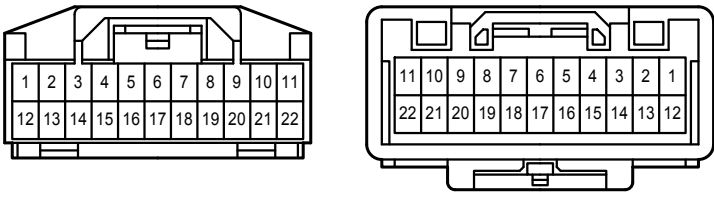
ID3  
White



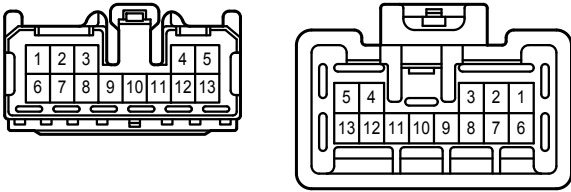
IH1  
White



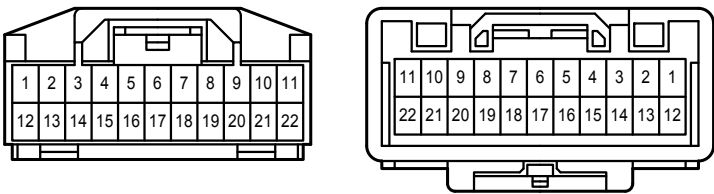
IM1  
White



IO1  
White



IP3  
White



IR1  
Gray

